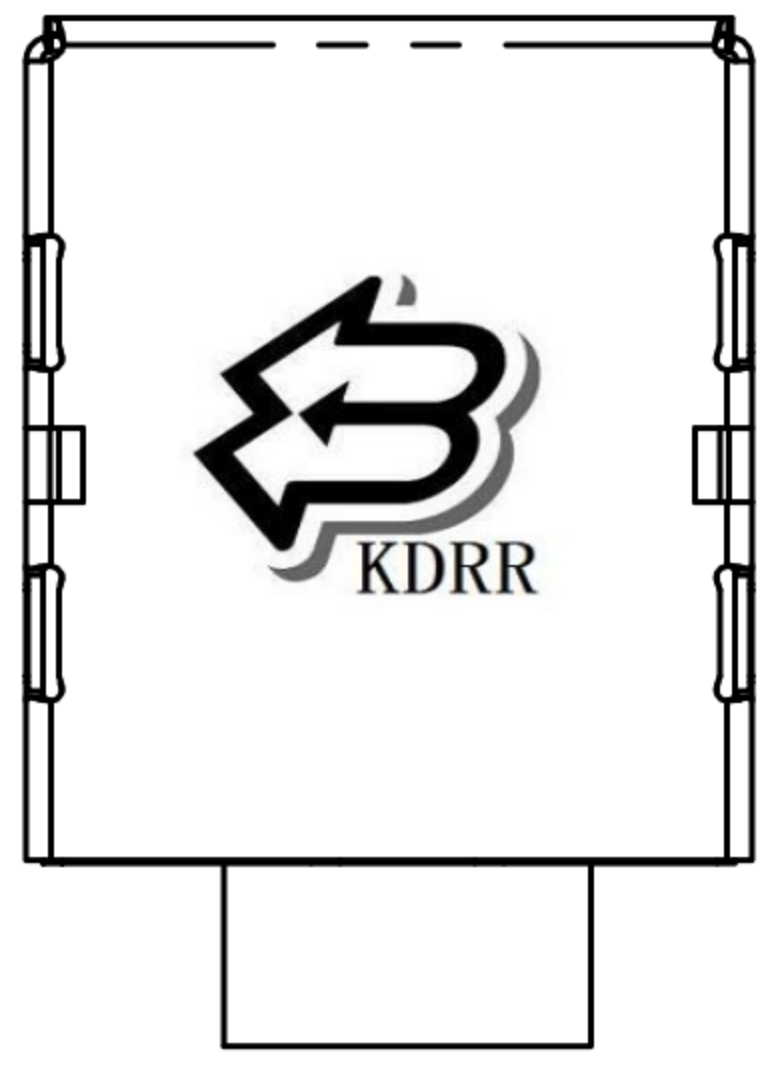
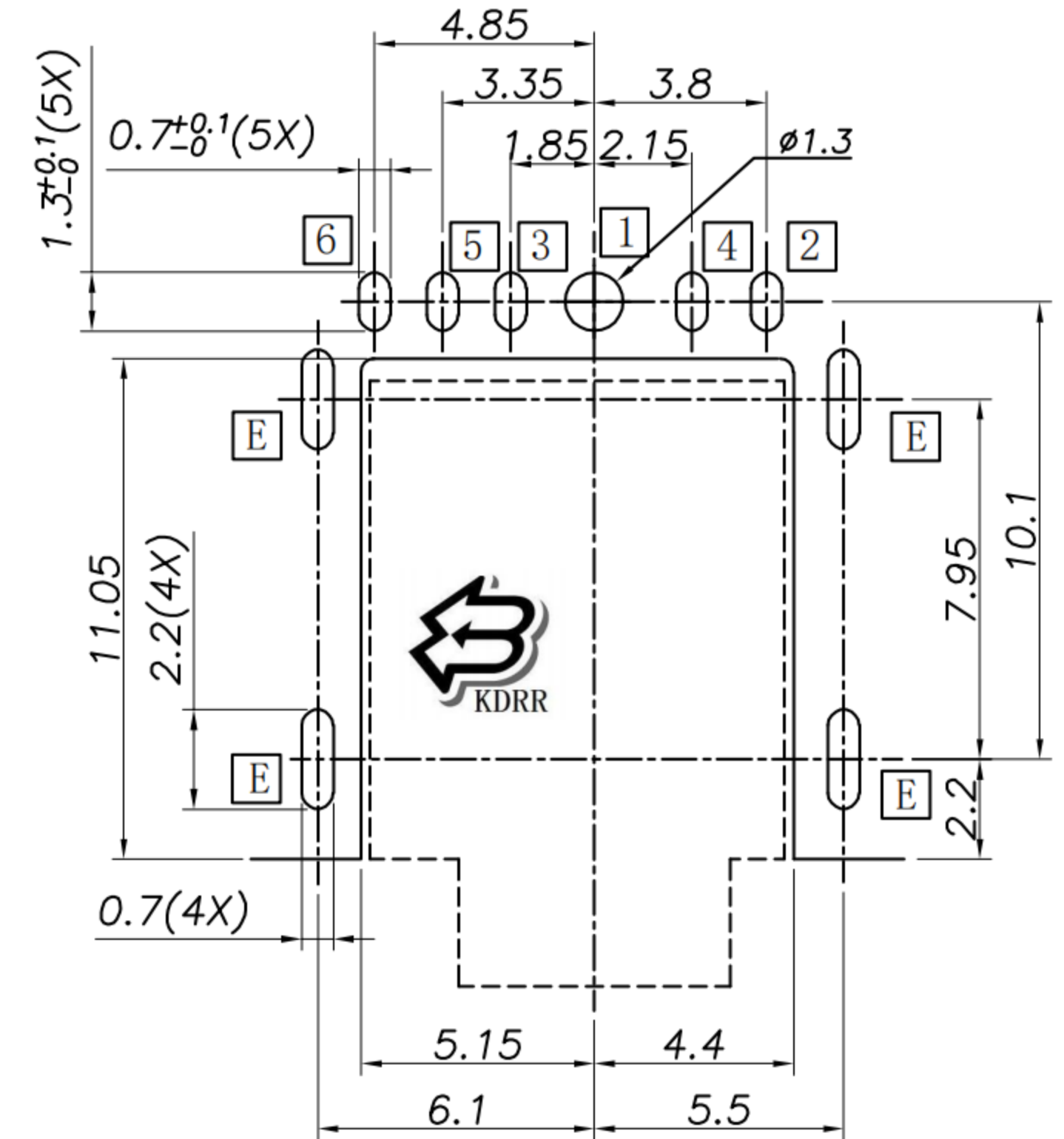


Ordering information:

GD-PJS-31740
 (1) (2) (3) (4) (5) (6) (7)

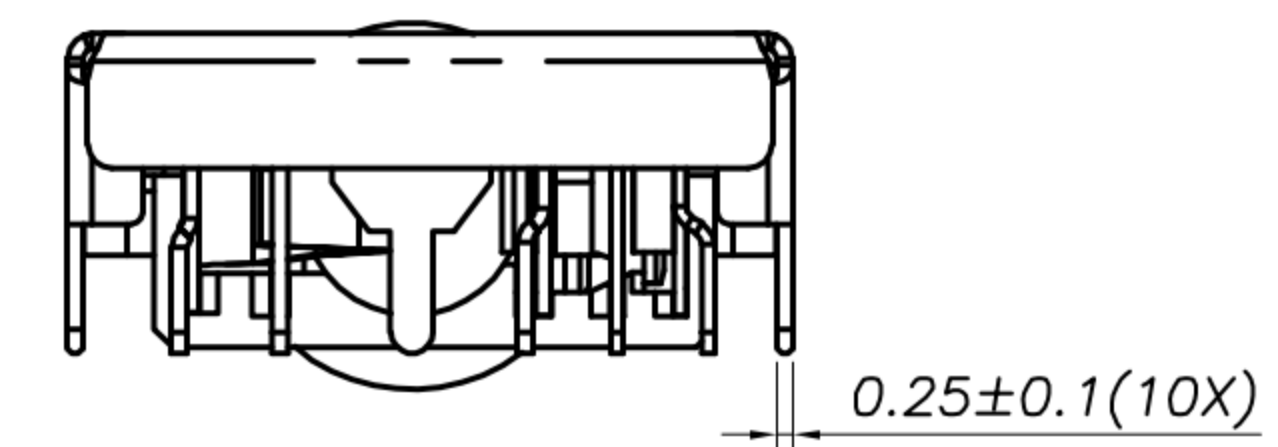
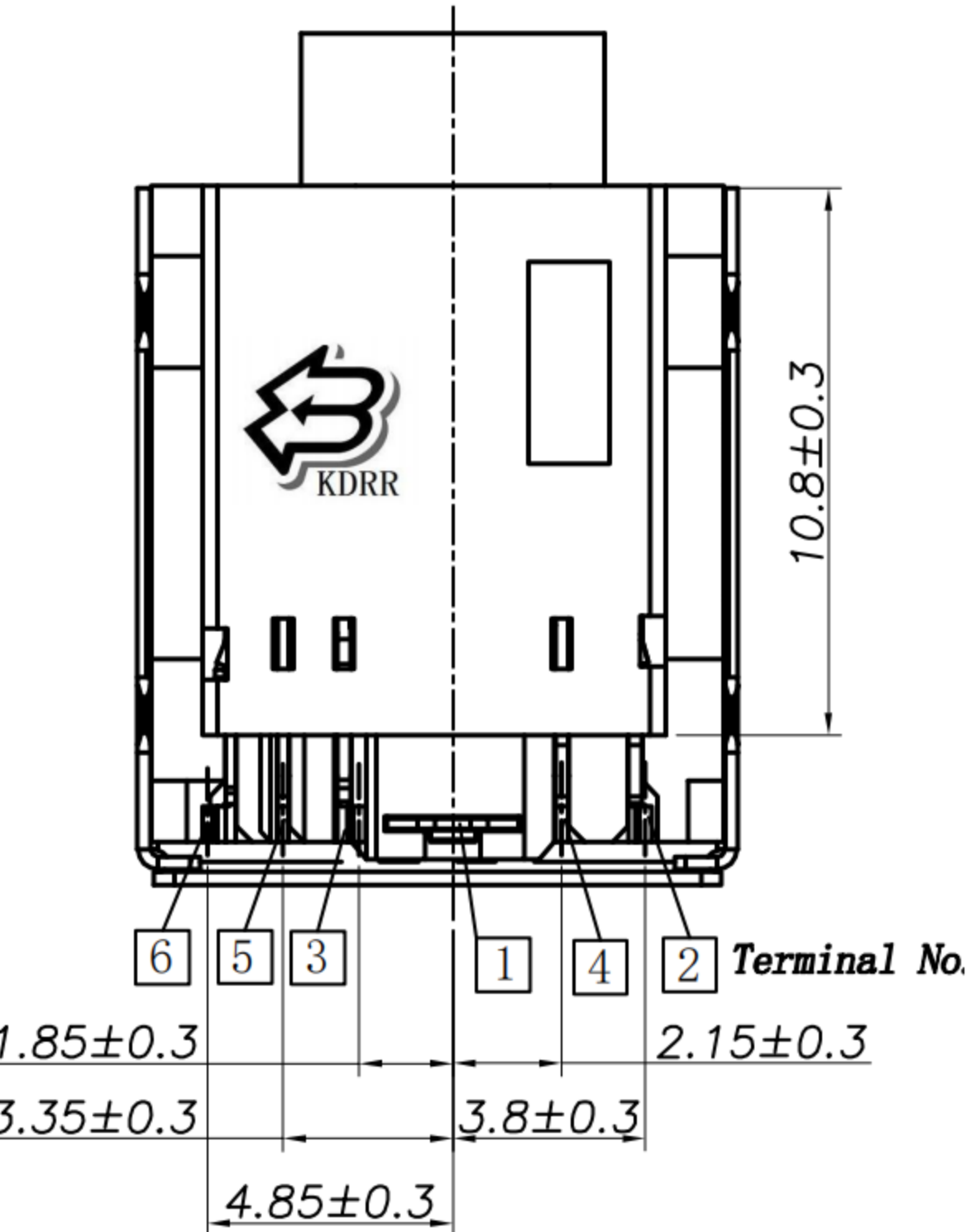
- (1): Series No.
- (2): Schematic option: V
- (3): Material of housing:
10=PA10T(Standard)
- (4): Housing color:
0A=Black
- (5): Terminal plating
S=Sivler(Ag)(Standard)
G=Gold(Au)
- (6): Special option:
00=No special option
- (7): Packing mode:
1= Tape reel packing



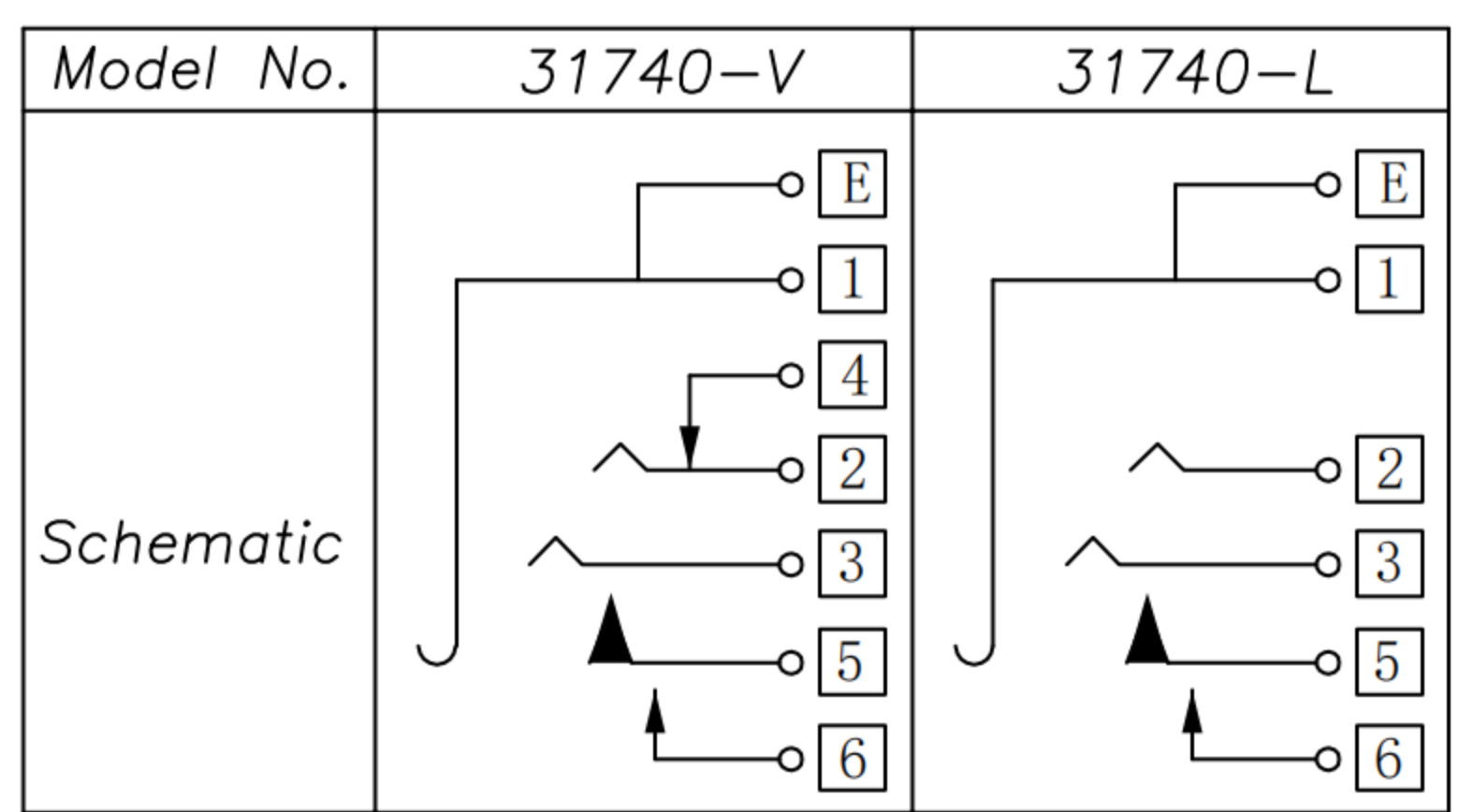
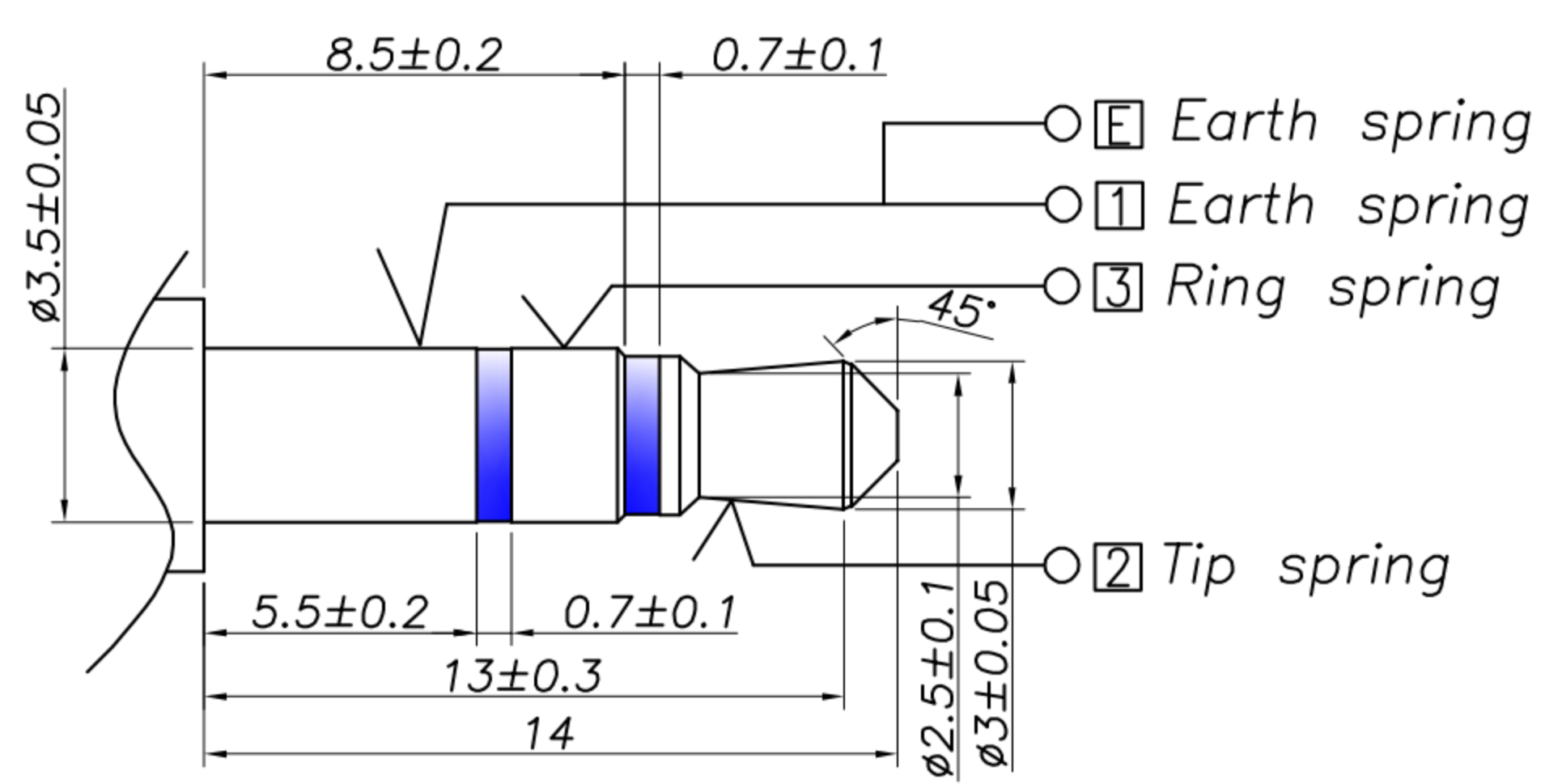
Specification:

1. Rating : DC 30V 0.5A;
2. Contact resistance: $\leq 30m\Omega$;
After life test: $\leq 50m\Omega$
3. Insulation resistance: $\geq 100M\Omega$ (500VDC);
After life test: $\geq 50M\Omega$
4. Withstand voltage: 500VAC ;
5. Insertion and extraction force: 3N~30N;
6. life test: 5000cycles min;
7. Operation temperature range: -20°C~70°C
8. Preservative temperature range: -40°C~85°C

RECOMMENDED P. C. B. LAYOUT
 UNSPECIFIED TOLERANCE: ± 0.05
 (COPPER-SIDED VIEW)



Matching Plug



ITEM	DESCRIPTION	QTY	MATERIAL	REMARK
⑧	Shield	1	C5191R 0.25t	Nickel plating
⑦	Make spring	1	Phosphor bronze 0.2t	Ag/G.f
⑥	Transfer spring	1	Phosphor bronze 0.2t	Ag/G.f
⑤	Shunt terminal	1	Brass 0.25t	Ag/G.f
④	Ring spring	1	Phosphor bronze 0.25t	Ag/G.f
③	Tip spring	1	Phosphor bronze 0.25t	Ag/G.f
②	Earth spring	1	Phosphor bronze 0.2t	Ag/G.f
①	Housing	1	PA10T,UL-94V-0	Black



TOLERANCE UNLESS OTHERWISE STATED:
 Up to 5 ± 0.2
 Above 5 ~ 15 ± 0.3
 Above 15 ~ 30 ± 0.4
 Above 30 ~ 50 ± 0.5
 Angle $\pm 0.3^\circ$

3RD. ANGEL'S

UNITS MM

DRAWN BY: Ming Ming Zou
 DATE: 6/8/23

CHECKED BY: Ning Ning Su
 DATE: 6/8/23

APPROVED BY: Jia Xiang
 DATE: 6/8/23

MAT'L	TITLE	JACK
FINISH	MODLE	PHONE JACK
SCALE: 1:1	DWG NO.	GD-PJS-31740
SHEET NO. 1 of 1	PART NO.	

ITEM NO.	DESCRIPTION	DRAWN	DATE
5	新增PLUG標號	Jack	052819
4	更新圖面	Jack	052419
3	新增3d上方圖	Jack	101918
2	更新圖面	Jack	092818
1	新增尺寸	Jack	070717